

Koyo®

SC BEARINGS

Full Complement type Cylindrical Roller Bearing with Selfaligning Ring

Application : Rolls for Continuous Casting, Transfer Table etc.



ISO9001/QS-9000
Certificate No. 927265

1 Features

1. Smooth Axial Movement

Easy Absorption of Roll Heat Expansion

2. Smooth Alignment

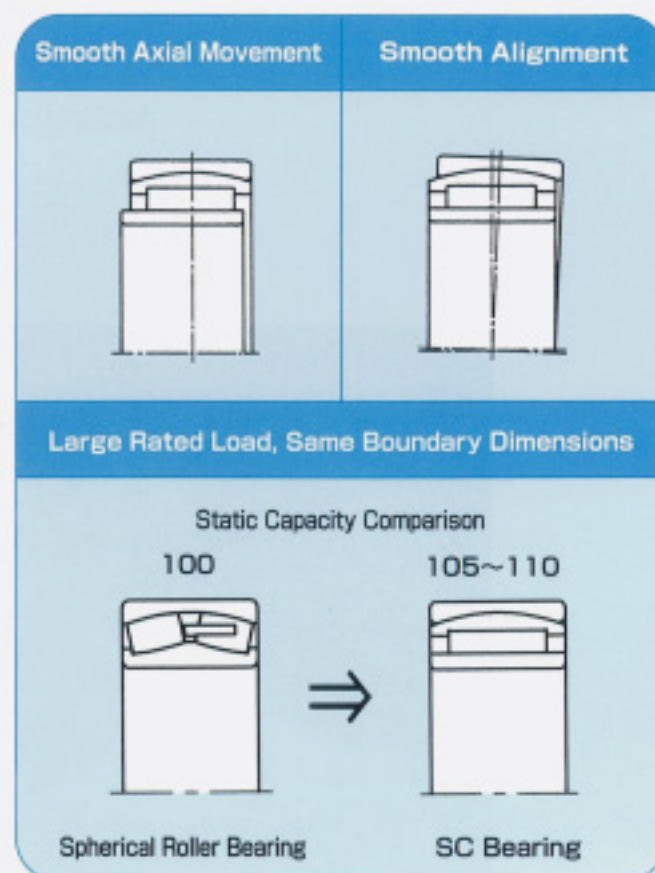
Easy Absorption of Roll Bending

3. Long Bearing Life

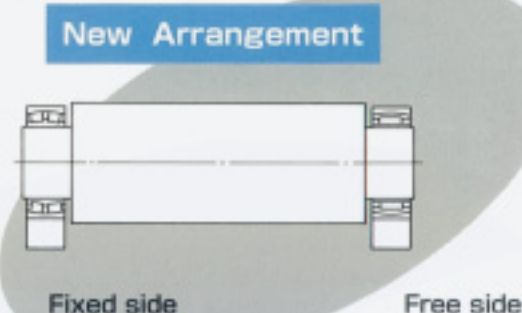
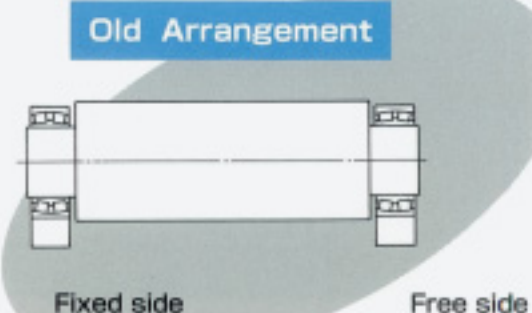
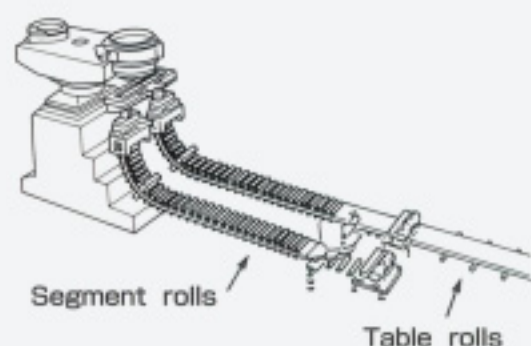
Large Load Capacity with Full Roller type

4. Same Dimensions as SPH. R. B.

Exchangeable without Modification



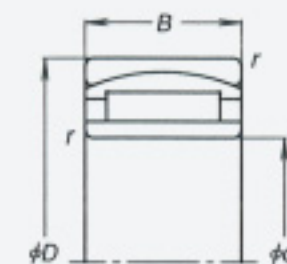
2 Application in All type Rolls of C. C.



Delivery

- KAWASAKI STEEL CORPORATION (JAPAN)
- KOBE STEEL, LTD. (JAPAN)
- SUMITOMO HEAVY INDUSTRIES, LTD. (JAPAN)
- NIPPON STEEL CORPORATION (JAPAN)
- NKK CORPORATION (JAPAN)
- B.S. (U.K.)
- CSN (BRAZIL)
- POSCO (KOREA)

3 Dimension Table



Open type



Sealed type (Suffix : RS)

Boundary dimensions, mm				Acceptable roll heat expansion, mm	Basic load ratings, KN		New free side bearing No.	Mass kg	Fixed side spherical roller bearing No.	
d	D	B	r _{min}		C	C ₀				
55	90	32	1.1	± 3.5	89.9	202	SC119032VA	0.94		
	100	25	1.5	± 4	95.9	143	SC111025VA	0.92	22211RH	
65	120	31	1.5	± 4	131	200	SC131231VA	1.7	22213RH	
70	125	31	1.5	± 6	126	213	SC141331VA	1.75	22214RH	
75	130	31	1.5	± 5	148	237	SC151331VA	1.86	22215RH	
		45	2	± 4.5	271	500	SC181640-1VA	3.78	22218RH	
		52	2	± 5.5	309	555	SC181652VA	4.85	23218RH	
100	150	50	1.5	± 6	246	543	SC201550VA	3.42		
	165	52	2	± 6	314	615	SC201752VA	4.7	23120RH	
110	170	45	2	± 7	237	496	SC221745VA	4.8	23022RH	
		60	2	± 8	316	718	SC221760VA	5.5	24022R	
	180	56	2	± 8	342	666	SC221856VA	5.63	23122R	
		69	2	± 9	409	837	SC221869V-1A	7.6		
120	180	46	2	± 8	246	516	SC241846VA	4.38	23024RH	
		54	2	±12	246	516	SC241854VA	4.95		
		58	2	±12	273	589	SC241858VA	5.36		
		60	2	± 9	323	720	SC241860VA	5.5	24024RH	
		80	2	± 9.5	521	1120	SC242080VA	11.1	24124RH	
130	200	69	2	± 9	421	945	SC262069VA	8.38	24026RH	
	210	64	2	±10	408	882	SC262164VA	9.18	23126RH	
	230	64	3	±10	470	860	SC262364VA	12.2	22226RH	
140	210	53	2	± 7	358	798	SC282153RVA	6.7	23028RH	
		69	2	± 9.5	431	1010	SC282169RVA	8.8	24028RH	
		225	68	2.1	± 7	512	1150	SC282368RVA	11.1	23128RH
		73	2.1	±12	473	1040	SC282373VA	11.9		
		85	2.1	±12.5	565	1300	SC282385VA	13.8	24128RH	
150	225	75	2.1	±10	518	1210	SC302375VA	10.9	24030RH	
	160	240	80	2.1	± 8	614	1500	SC322480RVA	13.8	24032RH
		270	109	2.1	±13.5	869	1980	SC3227109VA	28	24132RH
200	340	114	4	±15	1230	2300	SC3234114VA	55.3	22332RHA	
	260	90	2.1	±14	673	1530	SC342690VA	17.9	24034RH	
180	280	100	2.1	± 7	796	1900	360C28100VA	24.8	24036RH	
190	290	100	2.1	± 8	819	2000	380C29100VA	25.9	24038RHA	
	320	104	3	±12	1030	2270	SC3832104VA	37.2	23138RHA	
200	310	109	2.1	±11	978	2550	SC403111VA	33.5	24040RHA	
		115	2.1	±14	978	2550	SC4031115VA	34.7		
220	370	150	4	±14	1490	3610	440C37150VA	72.3	24144RHA	

Koyo

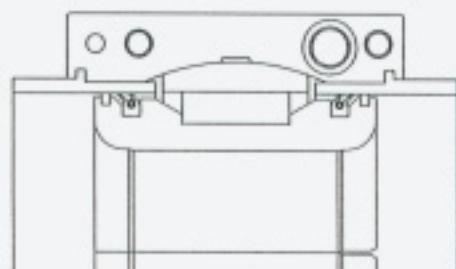
VALUE & TECHNOLOGY

Contributing to Quality Improvement, Energy Save of C. Casting Products.

HSC BEARINGS



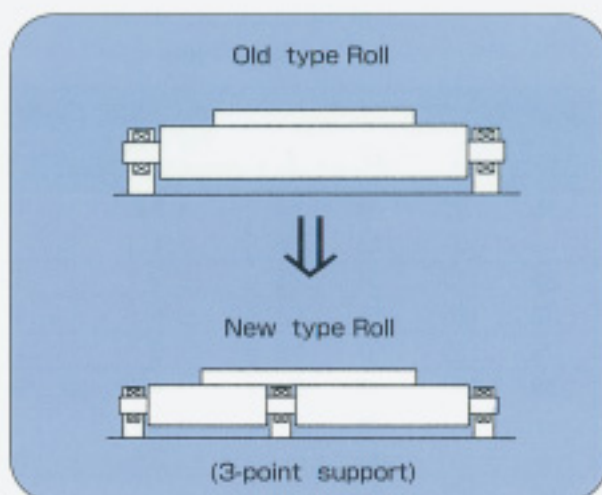
HSC Bearing



Construction

Construction

Unit bearing with outer ring, inner ring, housing etc. made from two separate halves. Suitable for center support of multi-point support roll.



Features

Easy handling, long life and improved C. C. product quality.

KOYO SEIKO CO., LTD.

Head Office No. 5-8, Minamisemba 3-chome, Chuo-ku, Osaka 542-8502, JAPAN
TEL : 81-6-6245-6087 FAX : 81-6-6244-0814

KOYO CANADA INC.

TEL : 1-905-881-1121 FAX : 1-905-881-1392

*KOYO CORPORATION OF U.S.A.

TEL : 1-440-835-1000 FAX : 1-440-835-9347

*KOYO CORPORATION OF U.S.A.

(AUTO SALES & TECHNICAL CENTER)
TEL : 1-734-454-1500 FAX : 1-734-454-4078

KOYO STEERING SYSTEMS OF U.S.A. INC.

TEL : 1-734-454-7057 FAX : 1-734-454-7059

KOYO DE MEXICO, S.A.

TEL : 52-55-5358-0214/0077 FAX : 52-55-5576-8627/8671

KOYO LATIN AMERICA, S.A.

TEL : 507-264-0921/0977 FAX : 507-264-2782/507-269-7578

KOYO ROLAMENTOS DO BRASIL LTDA.

TEL : 55-11-3887-9173 FAX : 55-11-3887-3039

THAI KOYO CO., LTD.

TEL : 66-2-264-0395, 661-9603/9605 FAX : 66-2-661-9606

KOYO SINGAPORE BEARING (PTE.) LTD.

TEL : 65-6274-2200 FAX : 65-6862-1623

PHILIPPINE KOYO BEARING CORPORATION

TEL : 63-2-817-8881/8901 FAX : 63-2-867-3148

KOYO SEIKO CO., LTD. SEOUL BRANCH

TEL : 82-2-549-7922 FAX : 82-2-549-7923

KOYO SEIKO CO., LTD. BEIJING LIAISON OFFICE

TEL : 86-10-6515-0037 FAX : 86-10-6515-0522

KOYO SEIKO CO., LTD. SHANGHAI LIAISON OFFICE

TEL:86-21-6237-5280 FAX:86-21-6237-5277

***KOYO AUSTRALIA PTY. LTD.

TEL : 61-2-9638-2355 FAX : 61-2-9638-3368

KOYO SEIKO CO., LTD. EUROPEAN CENTRAL OFFICE

(SALES & TECHNICAL CENTER)
TEL : 31-36-6383333 FAX : 31-36-6347212

KOYO STEERING EUROPE S.A.S.

(SALES & TECHNICAL CENTER)
TEL:33-472-39-4444 FAX:33-472-39-2188

***KOYO KULLAGER SCANDINAVIA A.B.

TEL : 46-8-594-212-00 FAX : 46-8-594-212-29

*KOYO (U.K.) LTD.

TEL : 44-1908-289300 FAX : 44-1908-289333

***EUROPA-KOYO B.V.

TEL : 31-184-606800 FAX : 31-184-602572/606857

KOYO ROMANIA REPRESENTATIVE OFFICE

TEL:40-21-410-4170/4182/0984 FAX:40-21-410-1178

*KOYO DEUTSCHLAND GMBH.

TEL : 49-40-67-9090-0 FAX : 49-40-67-9203-0

KOYO FRANCE S.A.

TEL : 33-1-3998-4202 FAX : 33-1-3998-4244/4249

KOYO IBERICA, S.A.

TEL : 34-91-329-0518 FAX : 34-91-747-1194

KOYO ITALIA S.R.L.

TEL : 39-02-2951-0844 FAX : 39-02-2951-0954

KOYO SEIKO CO.,LTD.(Japan) is certified to ISO9001 and QS-9000.
*: QS-9000 certified. **: ISO9001 certified. ***: ISO 9002 certified.

CAT.NO.165E

Printed in Japan '02.12-1Cl ('97.1)